

## 2.5m MBR Subsea Quadrant (CAB08)



### General Information

**Minimum Bend Radius:** 2.5m

**Length:** 5698 mm

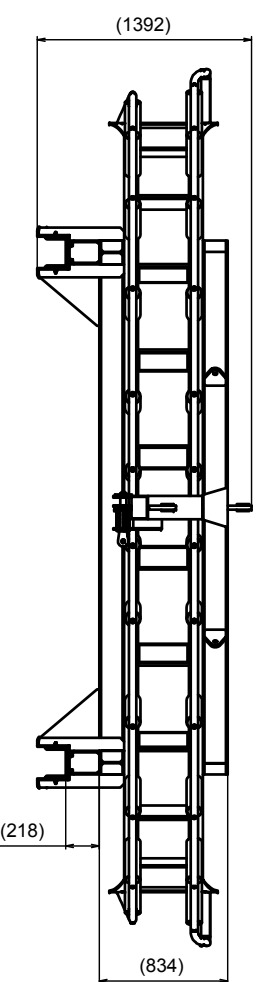
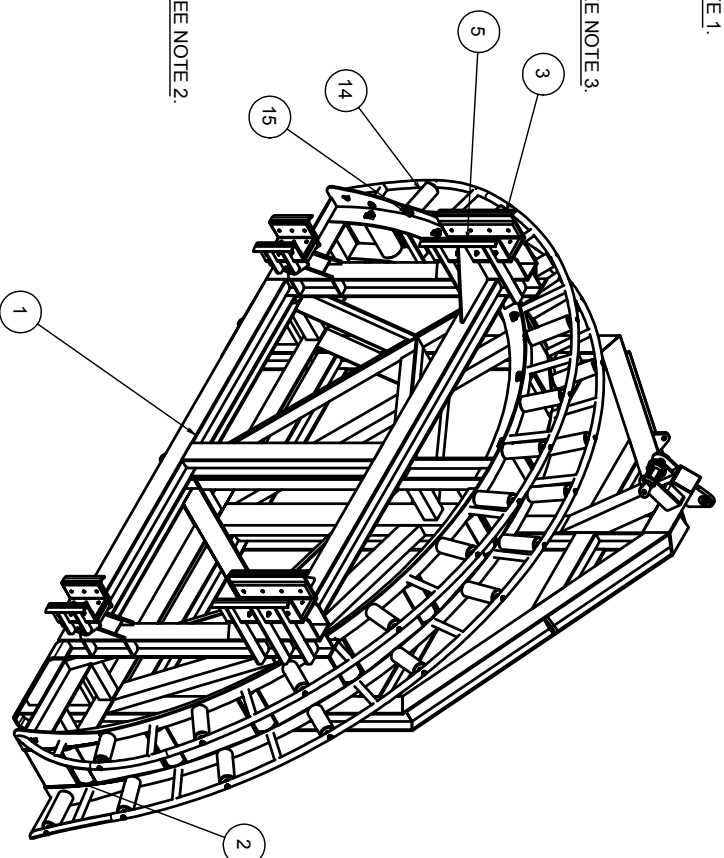
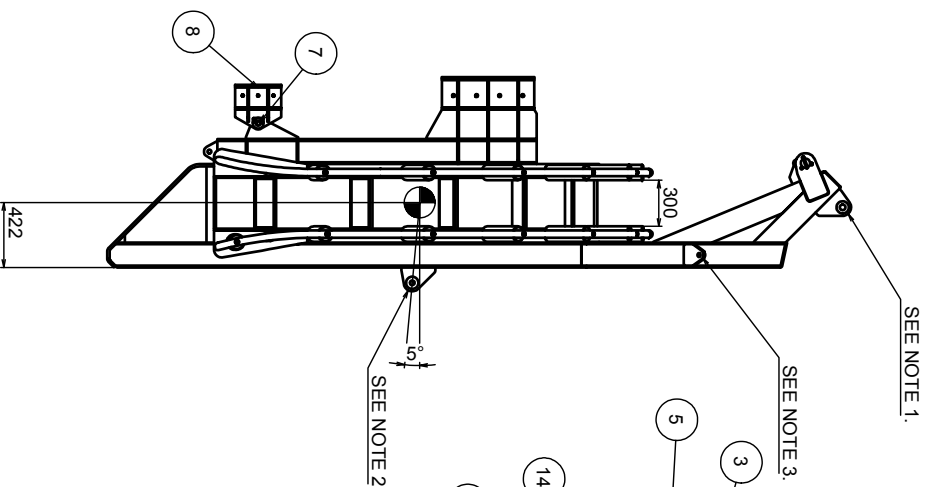
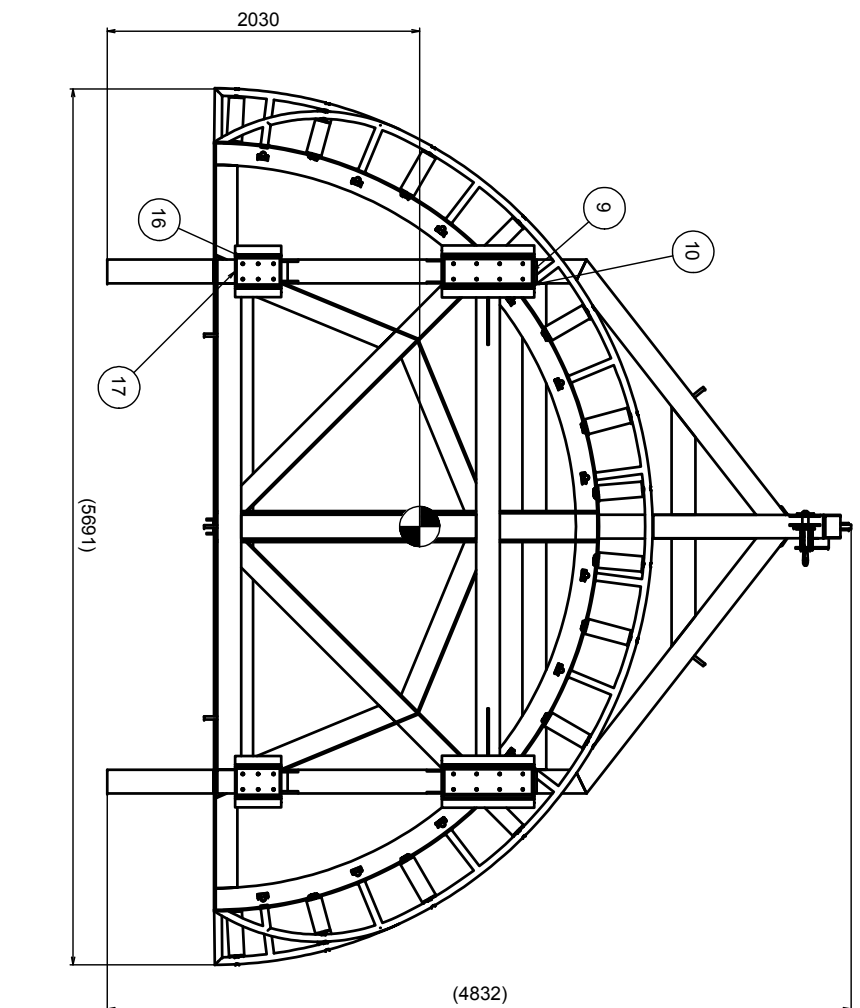
**Width:** 4700 mm

**Height:** 1500 mm

**Weight:** 3000kg

#### Further Info:

- Self-tripping base
- Rollers on base and rails
- Sliding rail attachment (if required)



**NOTES:**

- 1 - LIFT POINT DESIGNED FOR 12t SWL AND POSITIONED CENTRALLY ABOVE CABLE TROUGH.
- 2 - LIFT POINT DESIGNED FOR 12t SWL AND POSITIONED AT 5° FROM COG.
- 3 - LASHING POINTS DESIGNED TO 4.75t SWL.
- 4 - TORQUE M8 BOLTS TO 21 Nm.
- 5 - LIFT POINTS TO BE TESTED AND STAMPED.
- 6 - GREASE TO BE APPLIED OVER SPRINGS AND PIN.

ITEM	QTY	PART NUMBER	DESCRIPTION
1	1	AC-C-050-0002	QUADRANT FRAME FABRICATION
2	12	AC-C-050-0003	HORIZONTAL ROLLER
3	24	AC-C-050-0004	VERTICAL ROLLER
4	12	AC-C-050-0005	HORIZONTAL ROLLER PIN
5	24	AC-C-050-0006	VERTICAL ROLLER PIN
6	54	AC-C-050-0007	ROLLER PIN LOCK PLATE
7	2	AC-C-050-0008	HINGED SKID SHOE
8	2	AC-C-050-0009	HORIZONTAL SKID PLATE
9	2	AC-C-050-0010	VERTICAL SKID PLATE
10	4	AC-C-050-0011	QR PIN
11	1	AC-C-050-0027	QR PIN PLUNGER PLATE
12	3	AC-C-050-0032	OR PIN BOLT
13	3	AC-C-050-0033	SHORT VERTICAL ROLLER
14	2	AC-C-050-0036	SHORT VERTICAL ROLLER PIN
15	2	AC-C-050-0037	SHORT HORIZONTAL SKID PLATE
16	4	AC-C-050-0038	SHORT VERTICAL SKID PLATE
17	2	AC-C-050-0039	WASHER
18	167	M8 WASHER	HEX NUT
19	50M8	K 1.25 GR8.8	SOCKET HEAD CAP SCREW
20	108	M8 x 16 GR8.8	SOCKET HEAD CAP SCREW
21	50M8	K 35 GR8.8	R-CLIP
22	1	6mm x 40mm PIN DIA	SEE NOTES ON PAGE 2
23	3	SPRING	M8 SPRING WASHER
24	3	SPRING WASHER	

**TITLE**  
CAB08 2.5m MBR Subsea  
Deployment Quadrant

**DRAWING NO.** CAB08-DWGG001

**REVISION**  
1



**PROJECT**  
Hire Equipment

**LEGEND**

SYMBOL	DESCRIPTION
MM	DATE: 10/01/2018
AK	DATE: 10/01/2018
1	DATE: 10/01/2018

DO NOT SCALE

DIMENSIONS  
mm

SCALE  
NTS



ALL INTELLECTUAL PROPERTY RIGHTS SURVIVING IN THIS DRAWING ARE PROPERTY OF BRIGGS MARINE CONTRACTORS LTD. ANY REUSE OR REPRODUCTION OF THIS DRAWING OR ITS CONTENTS WITHOUT THE WRITTEN PERMISSION OF BRIGGS MARINE CONTRACTORS LTD IS STRICTLY PROHIBITED.