

## 3.5m MBR Fared Chute



### General Information

**Minimum Bend Radius:** 3.5m

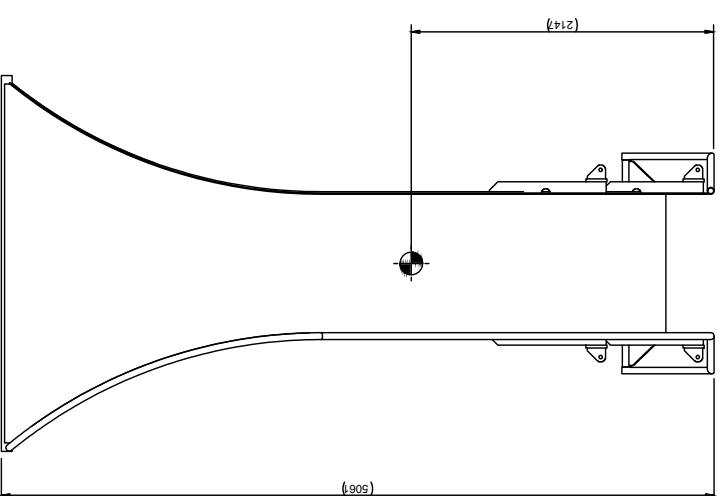
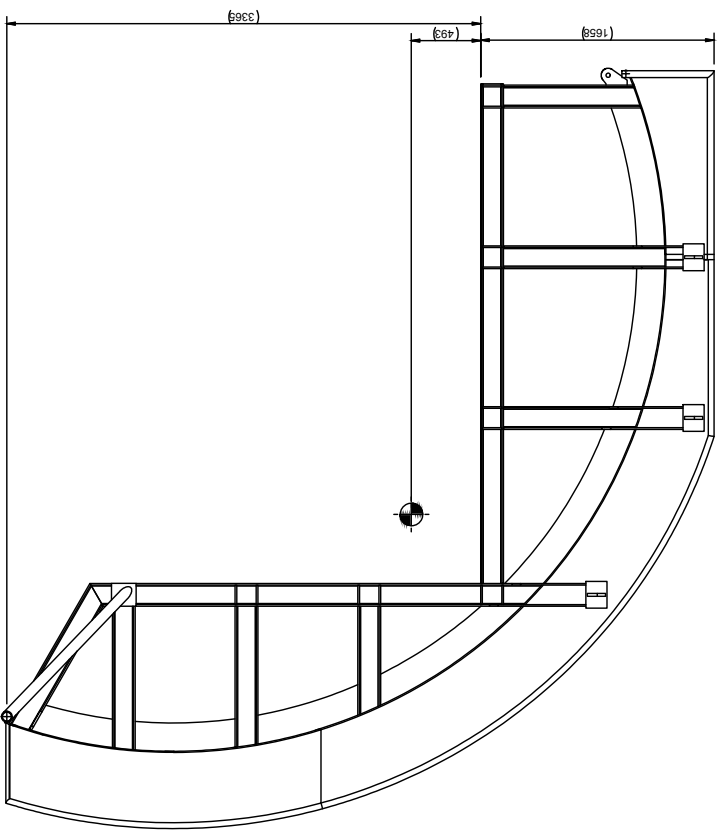
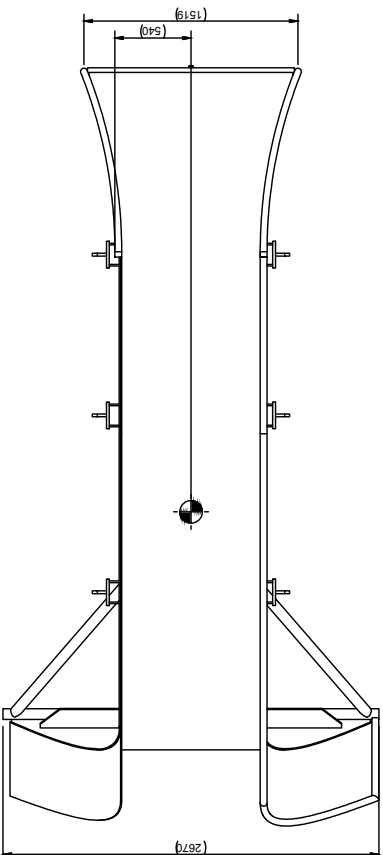
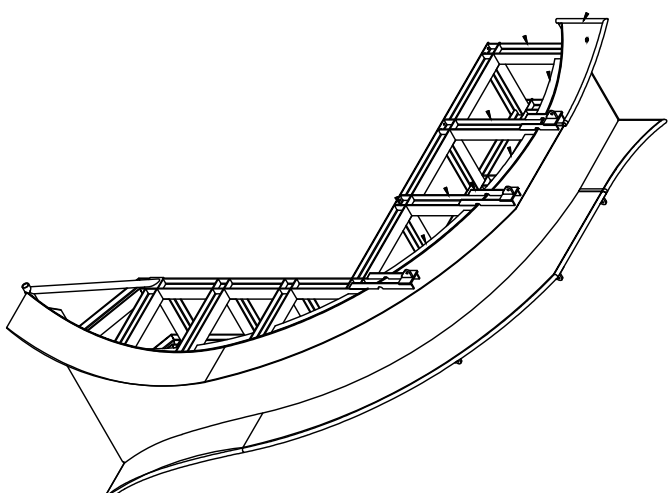
**Length:** 7600 mm

**Width:** 2800 mm

**Height:** 3500 mm

**Weight:** 6000 kg

12 | 11 | 10 | 9 | 8 | 7 | 6 | 5 | 4 | 3 | 2 | 1



TITLE

CAB03 3.5 MBR  
Straight Flared Chute

DRAWING NO.

CAB03-DWG001

REVISION

1



PROJECT

Hire Equipment

LEGEND

ALL INTELLECTUAL PROPERTY RIGHTS RESERVING IN THIS DRAWING ARE PROPERTY OF BRIGGS MARINE CONTRACTORS LTD. NO PART OF THIS DRAWING IS TO BE REPRODUCED OR TRANSMITTED IN ANY FORM OR BY ANY MEANS, ELECTRONIC OR MECHANICAL, INCLUDING PHOTOCOPYING, RECORDING, OR BY ANY INFORMATION STORAGE AND RETRIEVAL SYSTEM, WITHOUT THE WRITTEN PERMISSION OF BRIGGS MARINE CONTRACTORS LTD. ANY PART OF THIS DRAWING WHICH IS NOT SPECIFICALLY IDENTIFIED AS BEING THE PROPERTY OF BRIGGS MARINE CONTRACTORS LTD. IS THE PROPERTY OF THE CLIENT. ALL INFORMATION MUST BE HELD IN THE STRICTEST CONFIDENCE.

DATE	DESCRIPTION	DATE
10/01/2018	ISSUED	10/01/2018

MM

10/01/2018

AK

10/01/2018

DO NOT SCALE

mm

NTS

