

3m MBR Subsea Quadrant



General Information

Minimum Bend Radius: 3m

Length: 6717 mm

Width: 1100 mm

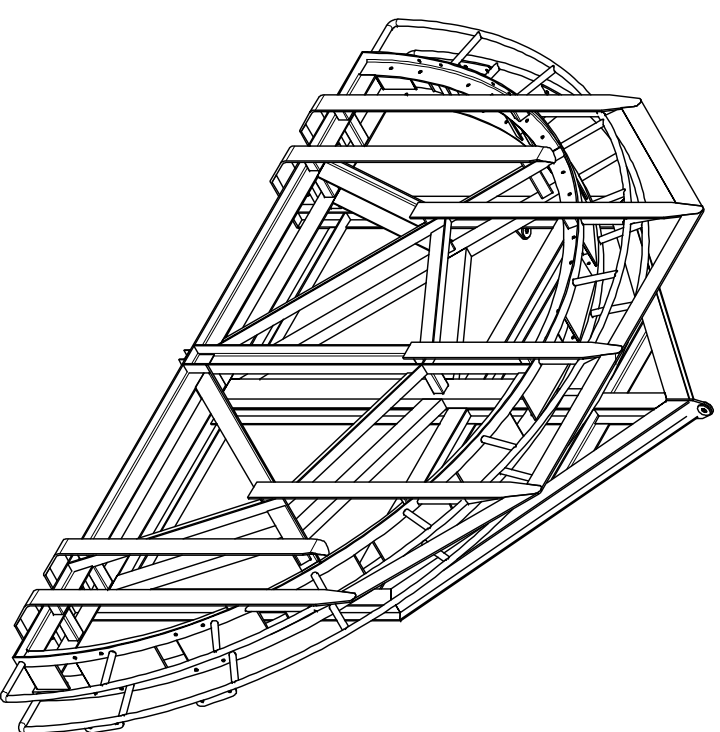
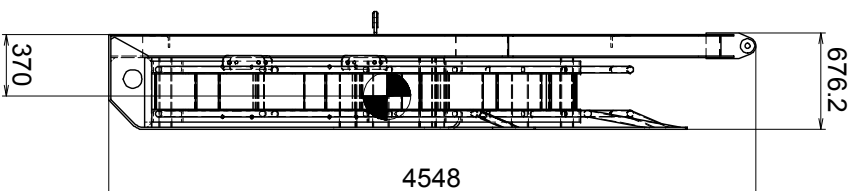
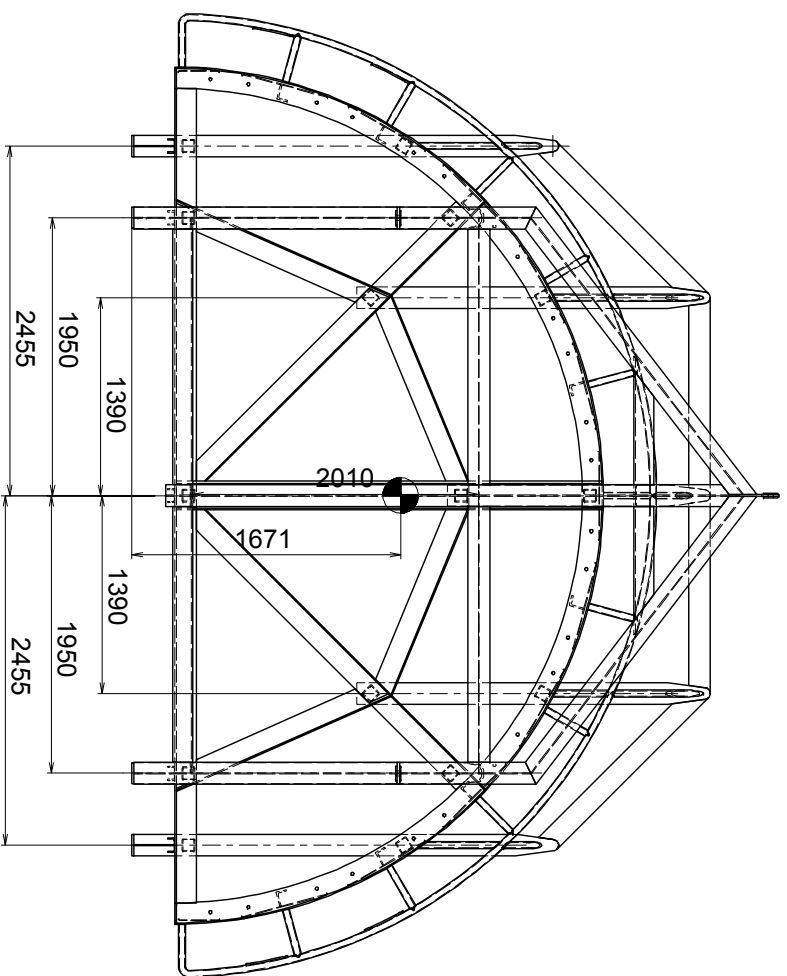
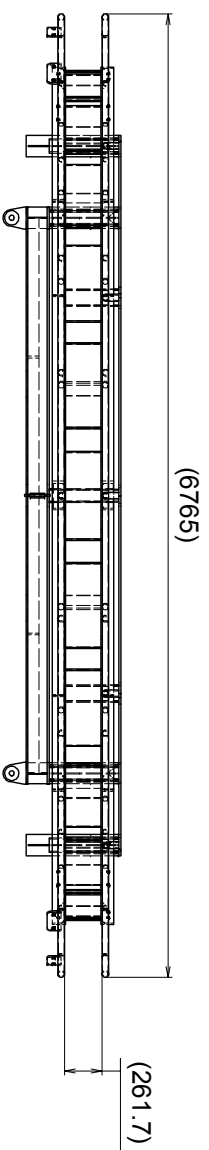
Height: 876 mm

Weight: 3500 kg

Further Info:

- Flared Rail for Cable Recovery
- Sliding rail attachment (if required)
- Self-tripping base
- Rollers on base and rail

12 | 11 | 10 | 9 | 8 | 7 | 6 | 5 | 4 | 3 | 2 | 1



A | B | C | D | E | F | G

TITLE
**CAB10 3m MBR Subsea
 Deployment Quadrant**

DRAWING NO. CAB10-DWG001
 REVISION 1
 PROJECT Hire Equipment



LEGEND

ALL INTELLECTUAL PROPERTY RIGHTS RESERVING IN THIS DRAWING ARE PROPERTY OF BRIGGS MARINE CONTRACTORS LTD. NO PARTS TO BE MADE WITHOUT THE WRITTEN PERMISSION OF BRIGGS MARINE CONTRACTORS LTD. ANY PARTS NOT SHOWN IN THIS DRAWING ARE TO BE SUPPLIED BY THE CONTRACTOR. THE CONTRACTOR SHALL BE RESPONSIBLE FOR OBTAINING ALL NECESSARY PERMITS AND APPROVALS. INFORMATION MUST BE HELD IN THE STRICTEST CONFIDENCE.

REV	DESCRIPTION	DATE
1	Issue	10/01/2018

DRAWN: MM
 DATE: 10/01/2018
 CHECKED: AK
 DATE: 10/01/2018
 DIMENSIONS: mm
 SCALE: NTS
 PROJECTION:

DO NOT SCALE