

# SURF/ Boarding Ladder



## General Information

**Length:** 7650 mm

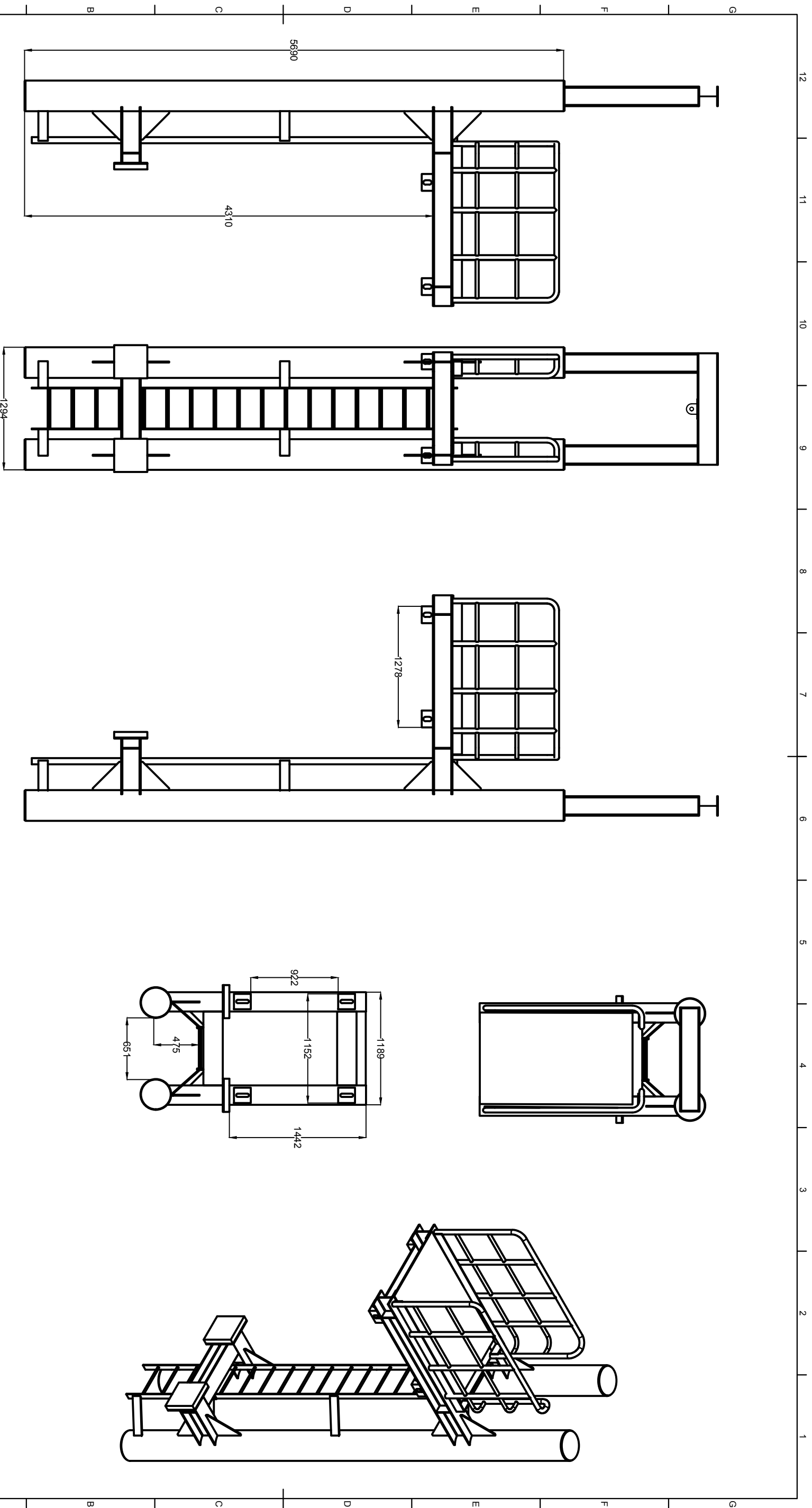
**Width:** 2000 mm

**Height:** 3000 mm

**Weight:** 2000 kg

### Additional Information:

- Twist lock grillage for stowage on transit
- X2 grillages for port and starboard embarkations
- Certified 1000kg Pad eye for Fall Arrestor



TITLE  
MIS08 Surf Ladder

DRAWING NO. MIS08-DWG001

REVISION  
1

PROJECT  
Hire Equipment



LEGEND

ALL INTELLECTUAL PROPERTY RIGHTS RESERVING IN THIS DRAWING ARE PROPERTY OF BRIGGS MARINE CONTRACTORS LTD. NO COPY IS TO BE MADE WITHOUT THE WRITTEN PERMISSION OF BRIGGS MARINE CONTRACTORS LTD. ANY PART OF THIS DRAWING OR THE INFORMATION CONTAINED THEREIN IS UNCLASSIFIED AND NOT CONTROLLED. THE INFORMATION MUST BE HELD IN THE STRICTEST CONFIDENCE.

REV.	DESCRIPTION	DATE	DRAWN	DATE	CHECKED	DATE
1	Issue	10/01/2018	MM	10/01/2018	AK	10/01/2018

DO NOT SCALE

DRAWING SCALE: mm  
SCALE: NTS  
PROJECTION: